



TONS OF LIGHTING
CineLight Color60®

2x1 Color interchangeable Diffusion DMX LED Panel

BY **FLUOTEC**



Pure White Light... Now with COLOR!



www.fluotec.com · info@fluotec.com



CineLight Color60® 2X1 DMX LED Panels

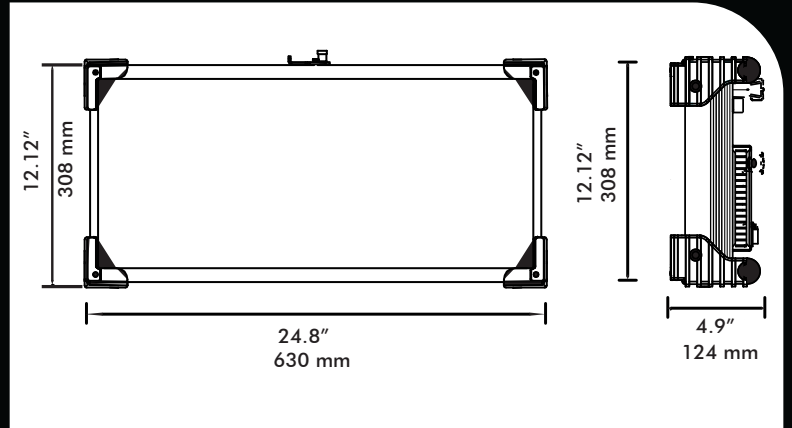
Very high CRI/TLCI >95 color rendering indexes. Constant Output Tunable Color DMX LED Panels.



CineLight Color60® 2X1

Color Interchangeable Diffusion DMX LED Panels

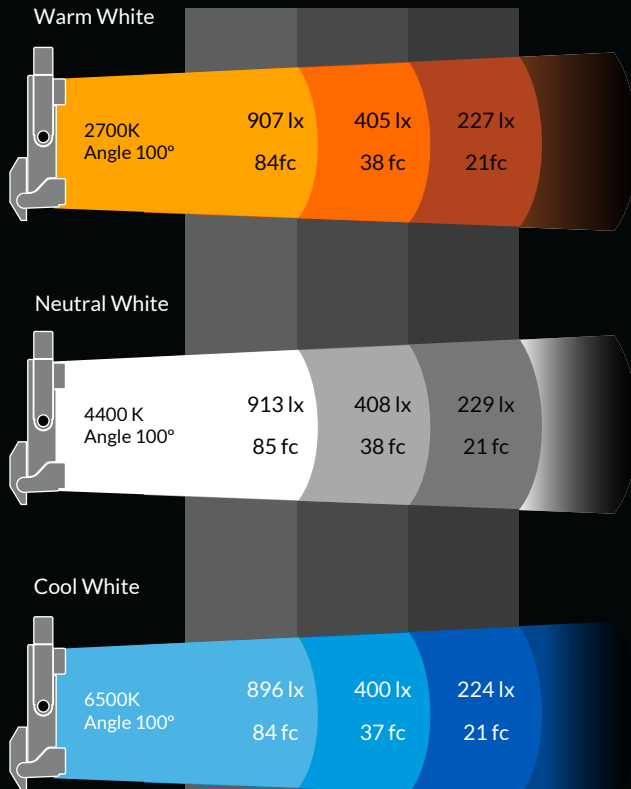
With Yoke	G6CRGB120
With Pole Operated Yoke	G6CRGB121
With Yoke and Cargo Case	G6CRGB122
With Stand Mounting Bracket	G6CRGB123
With Stand Mounting Bracket and Cargo Case	G6CRGB124
AC Input	90-240V - 50/60Hz
Weight lb/kg	16.78 lb / 7.56 kg
Energy Efficiency	1.2A (145 W) @120VAC
CCT	2,700K - 6,500K Extended Range 2,500K - 10,000K
CRI	> 95
Remote dimming	Via DMX 0% - 100%
Local dimming	Digital Display 0% - 100%



Photometric Data

CineLight Color60® 2X1 DMX LED Panels

1.83m (6ft) 2.74m (9ft) 3.66m (12ft)



Key Features

- A very efficient broadcast & cinema luminaire with high-speed option.
- Plus/Minus Green control and special effects.
- Full Color / HSI / XY / Filters / Settings menu.
- Constant luminous output (2,500K-10,000K) of CCT with proprietary designed calibration curves.
- Local LCD digital display panel for manual control.
- DMX 19 channels.
- User-defined presets.
- Interchangeable diffusion panel.
- NEBULA® reflective and diffusion chamber technology.
- Integrated power supply.

Accessories



More Info: www.fluotec.com · info@fluotec.com

