



T O N S O F L I G H T
CineLight Color®

2x2 Color interchangeable Diffuser

BY **FLUOTEC**



Pure White Light...! No W...wi



www.fluotec.com

info@fluotec.com



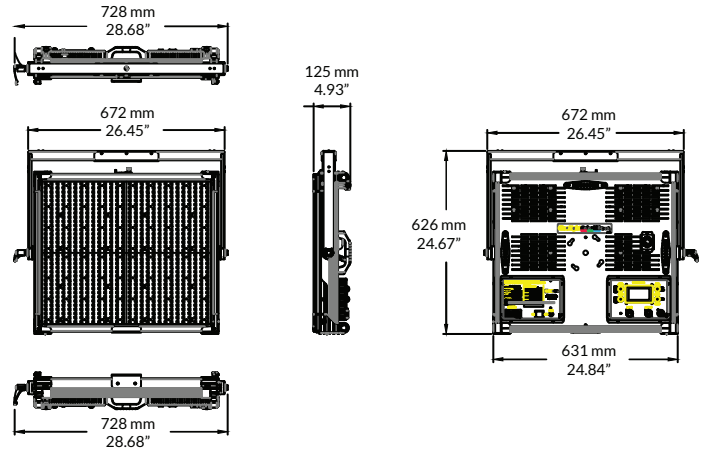
CineLight Color120Quad® 2X2 DMX LED Panels

Very high CRI/TLCI >95 color rendering indexes. Constant Output Tunable Color DMX LED Panels.



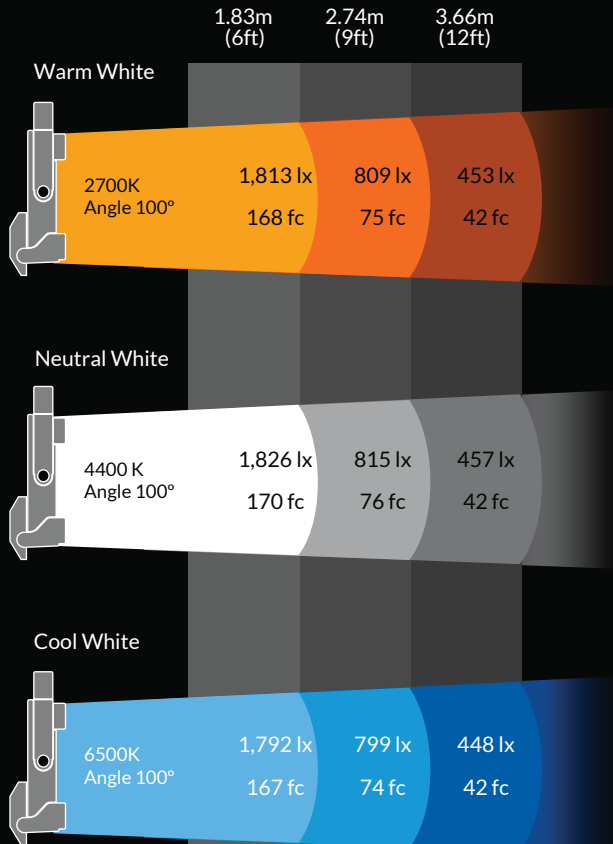
CineLight Color120Quad® 2X2 Color Interchangeable Diffusion DMX LED Panels

With Yoke	G6CRGB140
With Pole Operated Yoke	G6CRGB141
With Yoke and Cargo Case	G6CRGB142
With Stand Mounting Bracket	G6CRGB143
With Stand Mounting Bracket and Cargo Case	G6CRGB144
AC Input	90-240V - 50/60Hz
Weight lb/kg	27.62 lb /12.44 kg
Energy Efficiency	2.4A (290W) @120VAC
CCT	2,700K - 6,500K Extended Range 2,500K - 10,000K
CRI	> 95
Remote dimming	Via DMX 0% - 100%
Local dimming	Digital Display 0% - 100%



Photometric Data

CineLight Color120®Quad 2X2 DMX LED Panels



Key Features

- A very efficient broadcast & cinema luminaire with high- speed option.
- Plus/Minus Green control and special effects.
- Full Color / HSI / XY / Filters / Settings menu.
- Constant luminous output (2,500K-10,000K) of CCT with proprietary designed calibration curves.
- Local LCD digital display panel for manual control.
- DMX 19 channels.
- User - defined presets.
- Interchangeable diffusion panel.
- NEBULA® reflective and diffusion chamber technology.
- Integrated power supply.

Accessories

